

Angular Contact Ball Bearings

Bearing No. : **NACHI 7212DB**

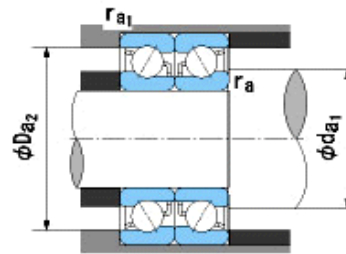
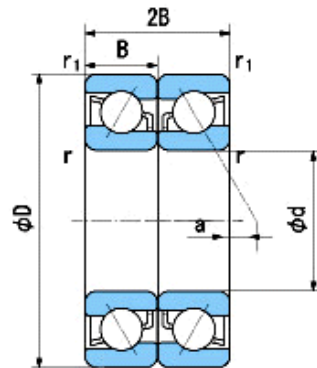
■ Bearing Type

■ Clearance

■ Tolerance Class

Dimensions

d = 60 0
-0.015
D = 110 0
-0.015
B = 22 0
0.000
r = 1.5~2.3
(Radial Direction)
r = 1.5~4
(Axial Direction)
r1 = 1~1.9
(Radial Direction)
r1 = 1~3
(Axial Direction)
a = 13.5



Dimensions

da1(min) = 69
da2(min) = 65
Da1(max) = 101
Da2(max) = 104.6
ra(max) = 1.5
ra1(max) = 1
Mass = 1.64 kg

Basic Dynamic Load Rating Cr : **100,000** N

Basic Static Load Rating Cor : **97,500** N

Limiting Speed ;

Grease Lubrication : **4,300** min⁻¹

Oil Lubrication : **5,600** min⁻¹

| | INNER RING | OUTER RING |
|--------------------------------|--------------|--------------|
| O.D.Surface Runout with Side : | | - |
| Axial Runout with Bore : | - | |
| Axial Runout with Raceway : | - | |
| Width Variation : | 0.025 | 0.025 |
| Radial Runout : | 0.020 | 0.035 |